

IMPORTANT, KEEP FOR LATER USE: READ CAREFULLY



Baby cot with retractable partitions

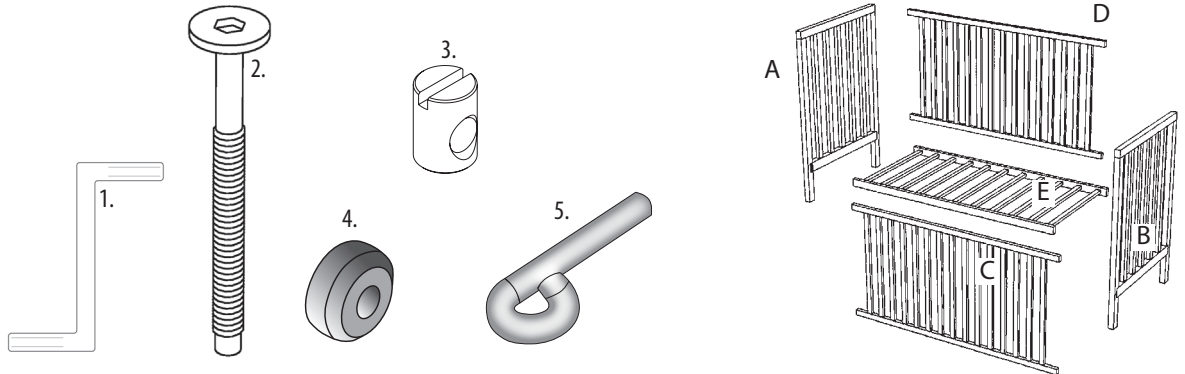
Instructions for assembly and use of the baby cot

2810 Scarlett Glera, material - beech wood, colour - white

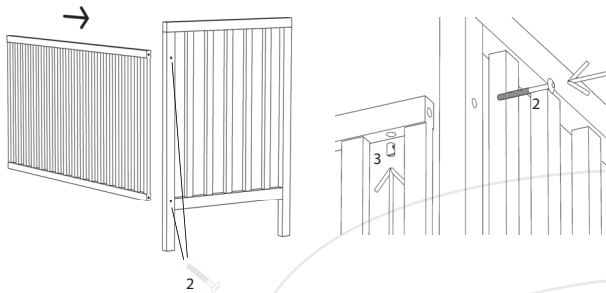


Parts list:

- 1 - Allen wrench (1x)
- 2 - screw (12x)
- 3 - roller nut (12x)
- 4 - spacer roller (4)
- 5 - positioning hook (4x)

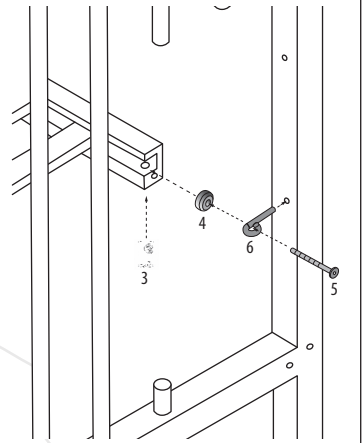


1. Use the bolt (2) and the roller nuts (3) to connect the baby cots cell (A, B) and the baby cots sides (C, D). The side with the pull-out cot (C) must be on the front side of the baby cots.



2. Using hook (5), spacer (4), roller nut (3) and screw (2), attach the grate to the cot.

You can choose the height of the grate according to the age and size of the baby.



The middle partitions in the side wall are removable. To remove, lift the partition and gently tip it out from underneath.

Make sure that the partitions are properly secured each time they are inserted.

When assembling the cot, the side of the cot must be spring loaded upwards.

