

# IMPORTANT, KEEP FOR LATER USE: READ CAREFULLY



Baby cot with pull-out partitions

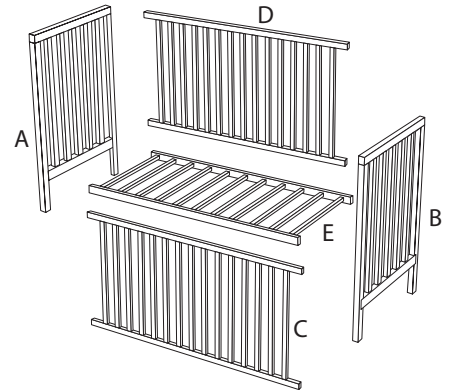
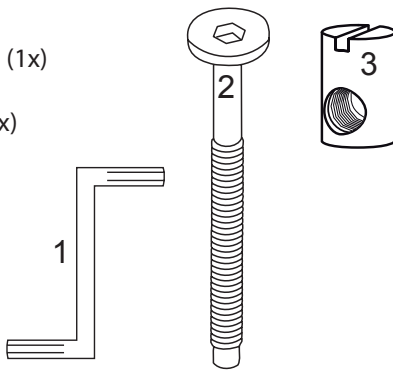
## Instructions for assembly and use of the baby cot

1981 Scarlett Dominik ECO 140 x 70 cm, material - pine wood, without coating

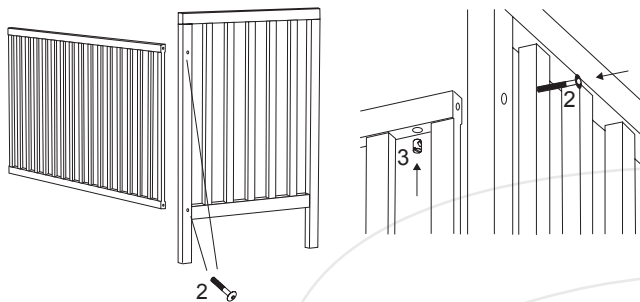


### Parts list:

- 1 - Allen wrench (1x)
- 2 - screw (12x)
- 3 - roller nut (12x)

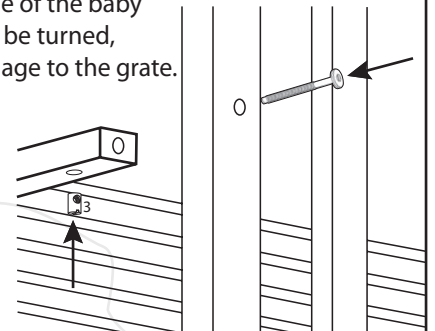


1. Use the screws (2) and roller nuts (3) to connect the faces (A, B) and the sides of the baby cot (C, D). The side with the pull-out partitions (C) must be at the front of the baby cot.



2. Screw (2) and roller nuts (3) to secure the grate (E). You have a choice of upper or lower position. The roller nuts (3) are always inserted from the underside of the grate when connecting it to the side of the baby cot; the grate must not be turned, as there is a risk of damage to the grate.

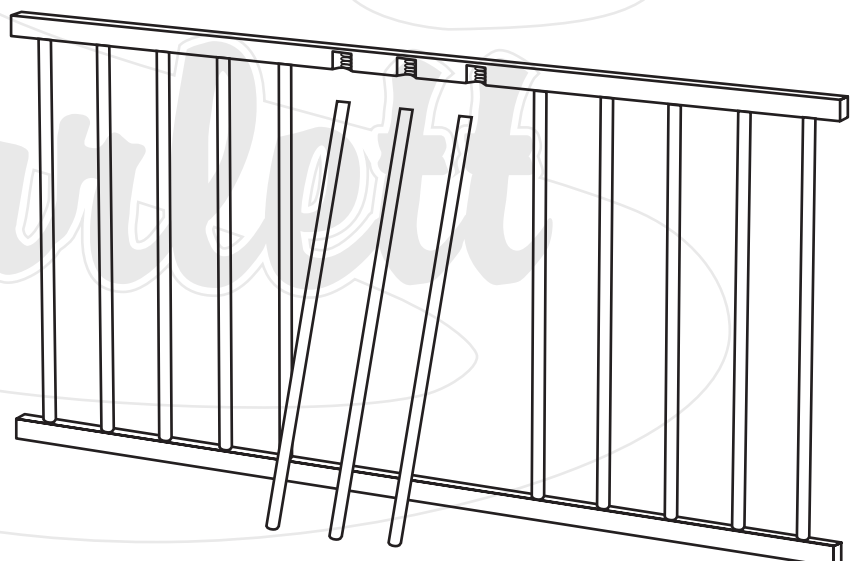
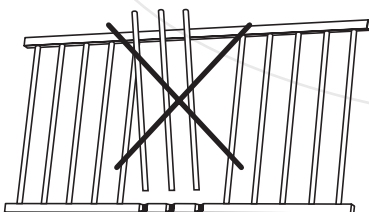
The roller nuts (3) are always inserted from the underside of the cot when connecting the cot to the side of the cot, the cot must not be turned, as there is a risk of damage to the cot.



The middle rungs in the side wall are removable. To remove, lift the partition and gently tip it out from underneath.

Make sure the partitions are properly secured each time they are inserted.

**When assembling the baby cot, the side of the baby cot must be sprung up.**



The legs of the baby cot are pre-drilled for the possible fitting of wheels. The wheels are only used to move around the room on a horizontal surface.

**Attention!**

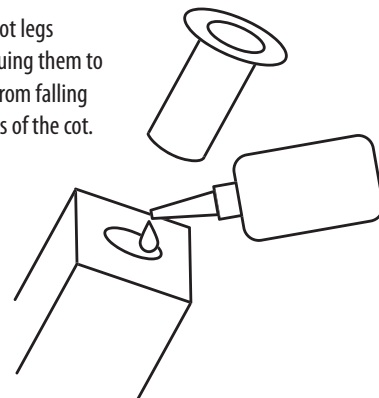
If you drive over thresholds or other unevenness, the baby cot legs may be damaged (broken).



**The wheels are not part of the cot and fitting and using the cot with wheels is at your own risk.**

**Recommendation:**

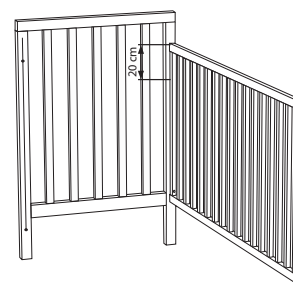
if the plastic sleeves in the baby cot legs become loose, we recommend gluing them to the wood to prevent the wheels from falling out and possibly breaking the legs of the cot.



**Please note:**

A minimum depth of 20 cm must be left between the top surface of the mattress and the top edge of the long sidewall. This is indicated by a line on the headboard of the baby cot. This is not a product defect but a requirement of the European standard

**EN 716-1+AC (910606)**



**Notice**

- a) Warning: Keep in mind the risk of open fire and other sources of strong heat, e.g. electric heating, gas fire, etc. in close proximity to the cot;
- b) Caution: Do not use the crib if any part is broken, torn or missing and use only manufacturer approved replacement parts;
- c) Warning: Do not leave anything in the cot or place the cot near another product that could provide foot support or pose a suffocation or strangulation hazard, eg ropes, blind/curtain cords
- d) Warning: Do not use more than one mattress in the crib.

**Usage**

- e) The cot is ready for use, only after verifying that the locking mechanisms are fully functional before using the cot
- f) The height of the bottom is adjustable, the lowest position is the safest and should be used whenever the child is able to sit up on their own
- g) If you leave the child unattended in the crib, always make sure that the sides are movable in the closed position.
- h) Removable guides for moving the base are not used for this type of crib. The grating is positioned using screws in pre-drilled holes.
- i) Assembly drawing, description of individual parts and necessary tools for assembly can be found on page 1 of this manual.
- j) The thickness of the mattress must be such that the internal height (from the surface of the mattress to the top edge of the cot frame) is at least 500 mm in the lowest position of the bottom of the cot and at least 200 mm in the highest position of the bed bottom.
- k) The notches on the leg of the crib determine the maximum thickness of the mattress that can be used in the crib.
- l) The size of the mattress used in the crib must be such that the gap between the mattress and the sides, mattress and headboards will not exceed 30 mm.
- m) All fasteners must be properly tightened and must be checked regularly during use of the crib as needed.
- n) Keep the crib clean only with a cotton cloth slightly moistened in clean water without any chemical agents.
- o) To avoid injury from falling, the crib must not be used if the child is able to climb out of the crib.

**Packaging**

- To avoid the risk of suffocation, remove the packaging material from the reach of infants and children (foils, plastic, cardboard, etc.).

**Information for customers**

- The cot is assembled on a flat surface, leave the screws loose during assembly, only tighten them firmly after the entire cot is assembled. During use, it is necessary to check these screws, in case of loosening, tighten them.
- The cot is treated with surface treatment. The paints used are harmless to health and meet the requirements of Ministry of Health Decree No. 84/2001 Coll. placed on products with lacquered surface treatment for children under 3 years of age.
- **The crib is made according to the requirements of the Czech standard ČSN EN 716-1+AC (910606) and European EN 716-1:2017+AC:2019.**
- Notice of the minimum internal height requirement (i.e. the height between the upper surface of the mattress to the upper edge of the sideboard): 50 cm at the lowest position of the slat; 20 cm at the highest position of the grate. Any cuts on the leg of the cot indicate the maximum height of the upper edge of the mattress in the upper position of the slat and are not a defect in the product.

Zdzislaw Krajewski - Scarlett  
Drahenská ul. 500, Novosedlice u Teplic  
tel.: +420 417 535 770, www.scarlett.cz  
IČ: 627 44 763