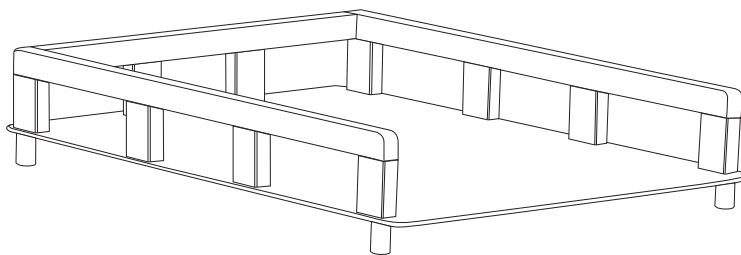
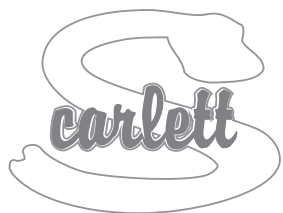


# IMPORTANT, KEEP FOR LATER USE: READ CAREFULLY



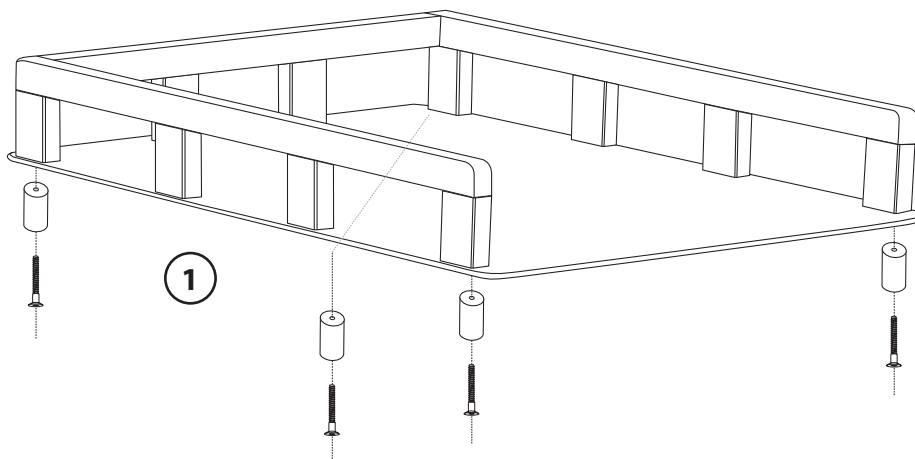
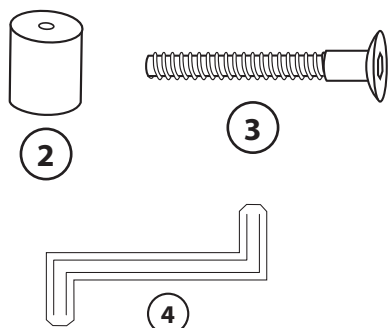
## Assembly and use instructions for the OGY changing table

1682 changing table OGY, natural colour, beech and beech plywood

### Installation

#### List of parts

- 1 - changing table
- 2 - changing mat leg (4 pcs)
- 3 - screw (4 pcs)
- 4 - allen wrench (1 pc)

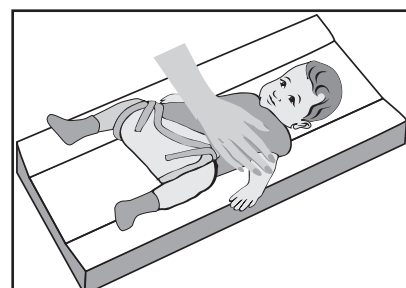


### INFORMATION FOR CUSTOMERS

- The changing table is treated with a surface finish. The paint used is health-safe and complies with the requirements of Decree No. 84/2001 Coll. of the Ministry of Health for painted products for children under 3 years of age.
- The counter is manufactured in accordance with EN12221.
- The counter is packed in paper cardboard. The packaging is recyclable.
- The supplied counters are suitable for children up to 3 years old.

### SAFETY

- Do not leave your child unattended on the changing table for a moment!
- Place the counter well away from heat sources (radiators, stoves, etc.), sunlight and other heat sources as well as electrical outlets, extension cords and other electrical wires and equipment.
- Check that the changing table is firmly supported by the cot.
- Do not use the counter if it is not fully assembled or if any parts are missing.
- Using accessories that are not approved by the manufacturer can be dangerous.
- Never handle the counter when a child is lying on it!!!



### IMPORTANT NOTICE

- Read this manual and keep it for future reference. If you do not follow it, you may endanger the safety of the child.
- Ensure that packaging material (foil, plastic, cardboard, etc.) is properly removed from the child's reach.
- Keep the counter clean only with a lightly dampened cotton cloth without any chemicals.